

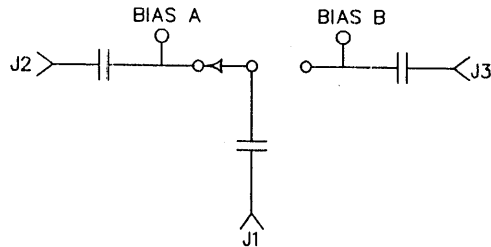
DESCRIPTION

AMC MODEL SWN-218-2A OPTION: 09F, 011 IS A SINGLE POLE TWO THROW ABSORPTIVE/NON-REFLECTIVE SWITCH MODULE DESIGNED TO OPERATE AT 0.9 GHZ FREQUENCY RANGE WITH AN INSERTION LOSS OF 3.5 dB MAXIMUM, ISOLATION OF 70 dB MINIMUM AND VSWR OF 2.0:1.

SPECIFICATIONS

- FREQUENCY RANGE: 900 MHz \pm 50 MHz
- INSERTION LOSS: 3.5 dB MAXIMUM
- ISOLATION: 70 dB MINIMUM
- VSWR: 2.0:1
- RISE TIME: 50 nSec MAXIMUM
- FALL TIME: 50 nSec MAXIMUM
- POWER INPUT: +20 dBm CW
- SURVIVAL POWER: 1 WATT CW, 10 WATTS PEAK 1 μ Sec
- CONTROL: TTL LOGIC "0" = J1-J2 ON
TTL LOGIC "1" = J1-J3 ON
- POWER SUPPLY: +5V @ 65 mA MAXIMUM
-5V @ 50 mA MAXIMUM
- CONNECTORS:
RF: SMA FEMALE
CONTROL: SOLDER PIN.
- SIZE: 1.20" (L) x 1.00" (W) x 0.50" (H)
- WEIGHT: 1.5 OUNCE TYPICAL

BLOCK DIAGRAM



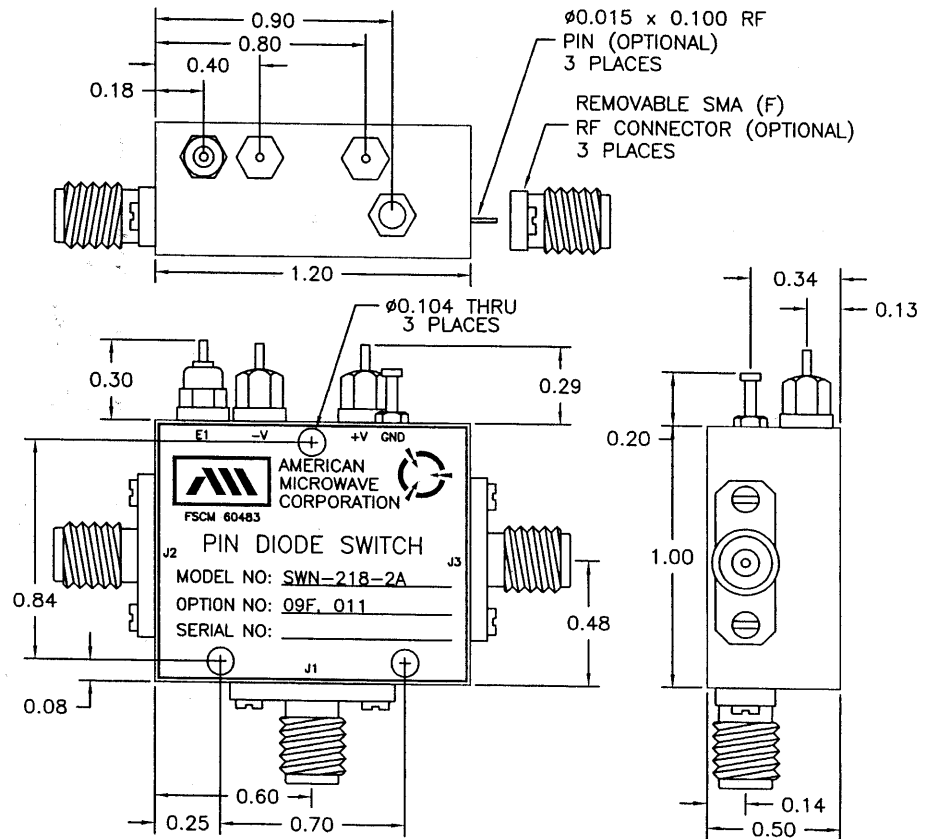
ENVIRONMENTAL RATINGS

- TEMPERATURE: -55°C TO +85°C (OPERATING)
-65°C TO +125°C (STORAGE)
- HUMIDITY: MIL-STD-202F, METHOD 103B COND. B
- SHOCK: MIL-STD-202F, METHOD 213B COND. B
- VIBRATION: MIL-STD-202F, METHOD 204D COND. B
- ALTITUDE: MIL-STD-202F, METHOD 105C COND. B
- TEMPERATURE CYCLE: MIL-STD-202F, METHOD 107D COND. A

NOTE: SPECIFICATIONS WILL VARY OVER OPERATING TEMPERATURE
NOTE: THE ABOVE SPECIFICATIONS ARE SUBJECT TO CHANGE OR REVISION

ALL DIMENSIONS ARE IN INCHES
TOLERANCES:
X.XX \pm 0.020
X.XXX \pm 0.010

REVISIONS				
ZONE	REV.	DESCRIPTION	DATE	APPROVED
		- ORIGINAL RELEASE JOB# 402018-2	1/12/04	



AMERICAN MICROWAVE CORPORATION

7311-G GROVE ROAD
FREDERICK, MARYLAND 21704 USA
TEL: 301-662-4700 FAX: 301-662-4938
WEBSITE: www.americanmicrowavecorp.com
E-MAIL: sales@americanmicrowavecorp.com
ISO 9001:2000 CERTIFIED



APPROVALS		DATE	TITLE		
DRAWN <i>JKM</i>		1/12/05	PRODUCT FEATURE SWN-218-2A OPTION: 09F, 011 900 MHz, SINGLE POLE TWO THROW SWITCH		
CHECKED <i>MB</i>		1/12/05	SIZE	FSCM NO.	DWG NO.
ISSUED			A	60483	100-7281
			SCALE N:S	SHEET 1 OF 3	